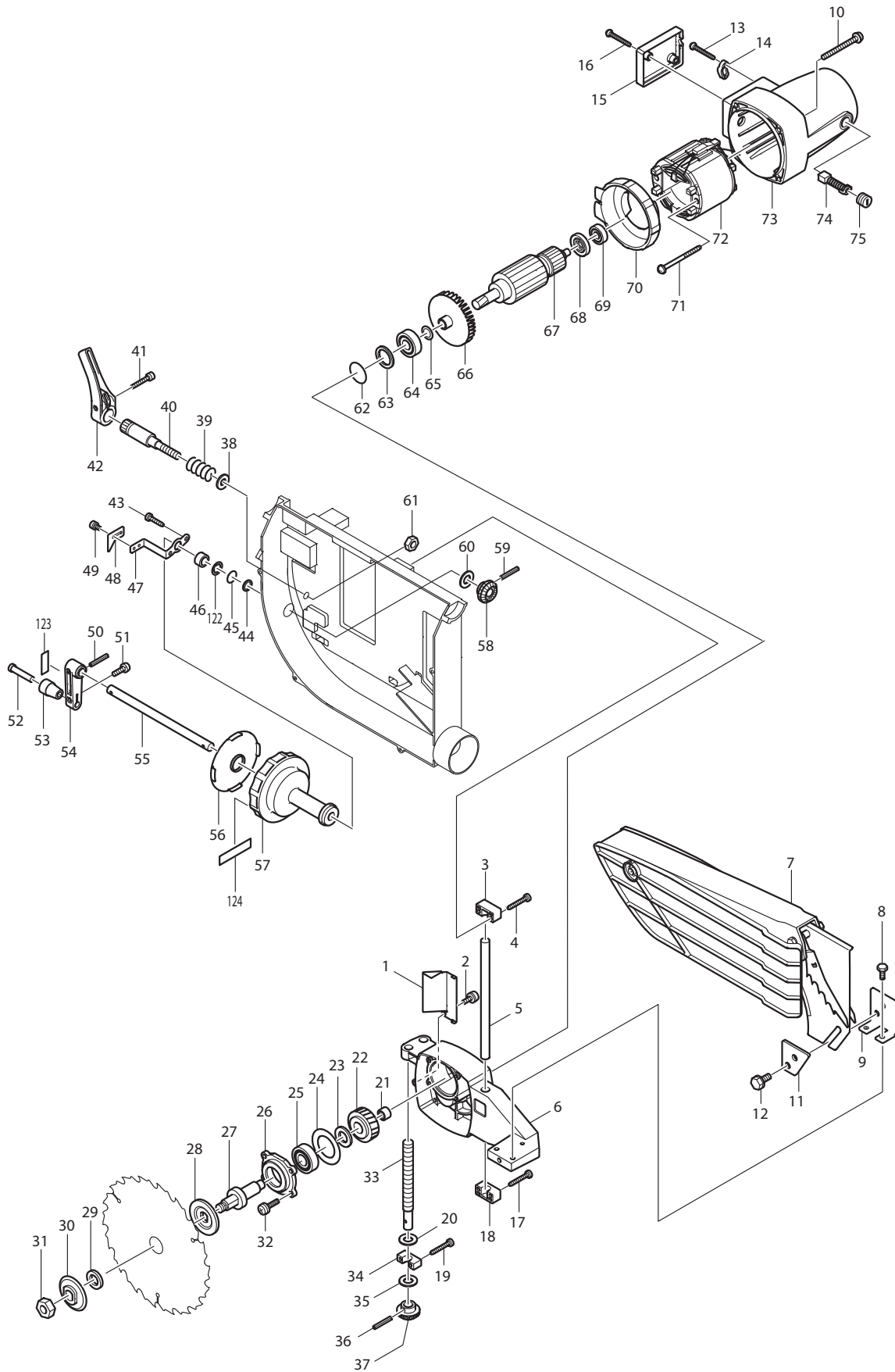
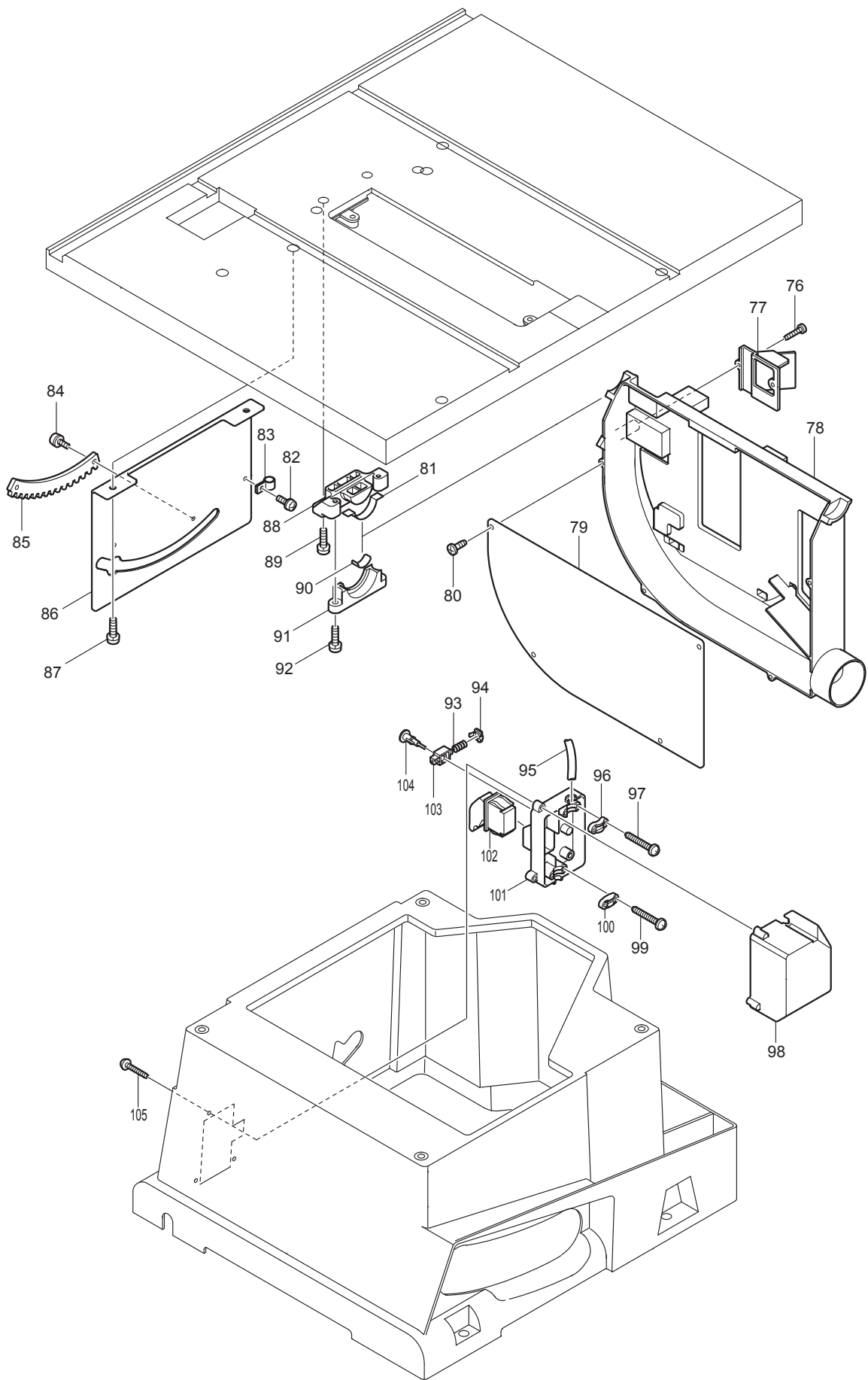
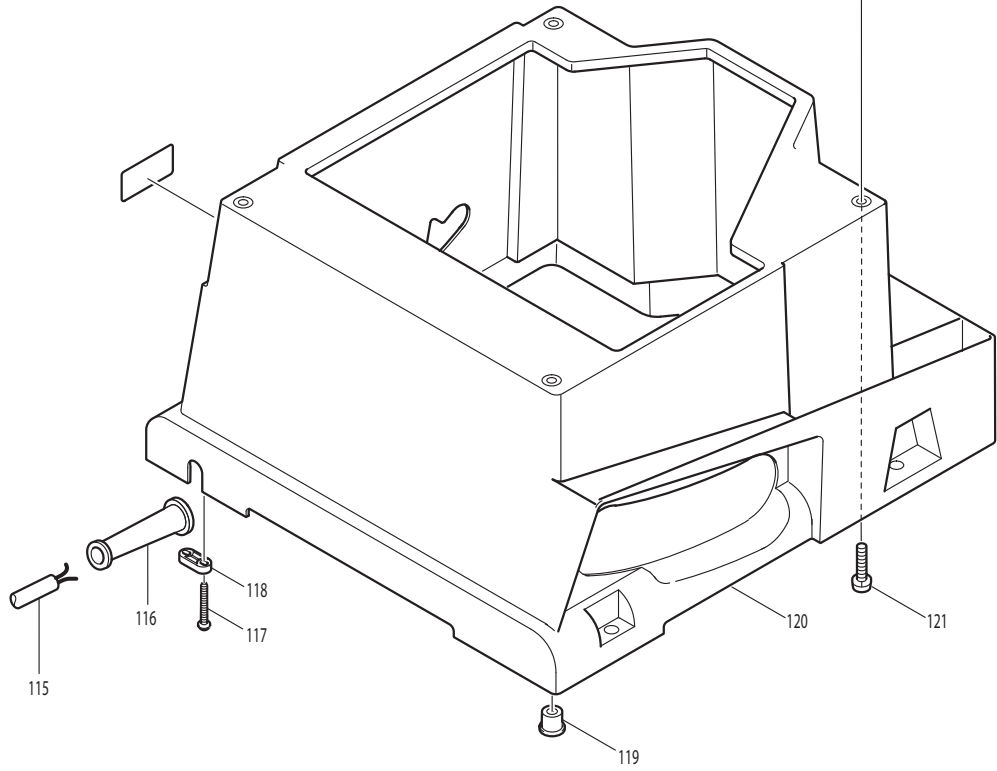
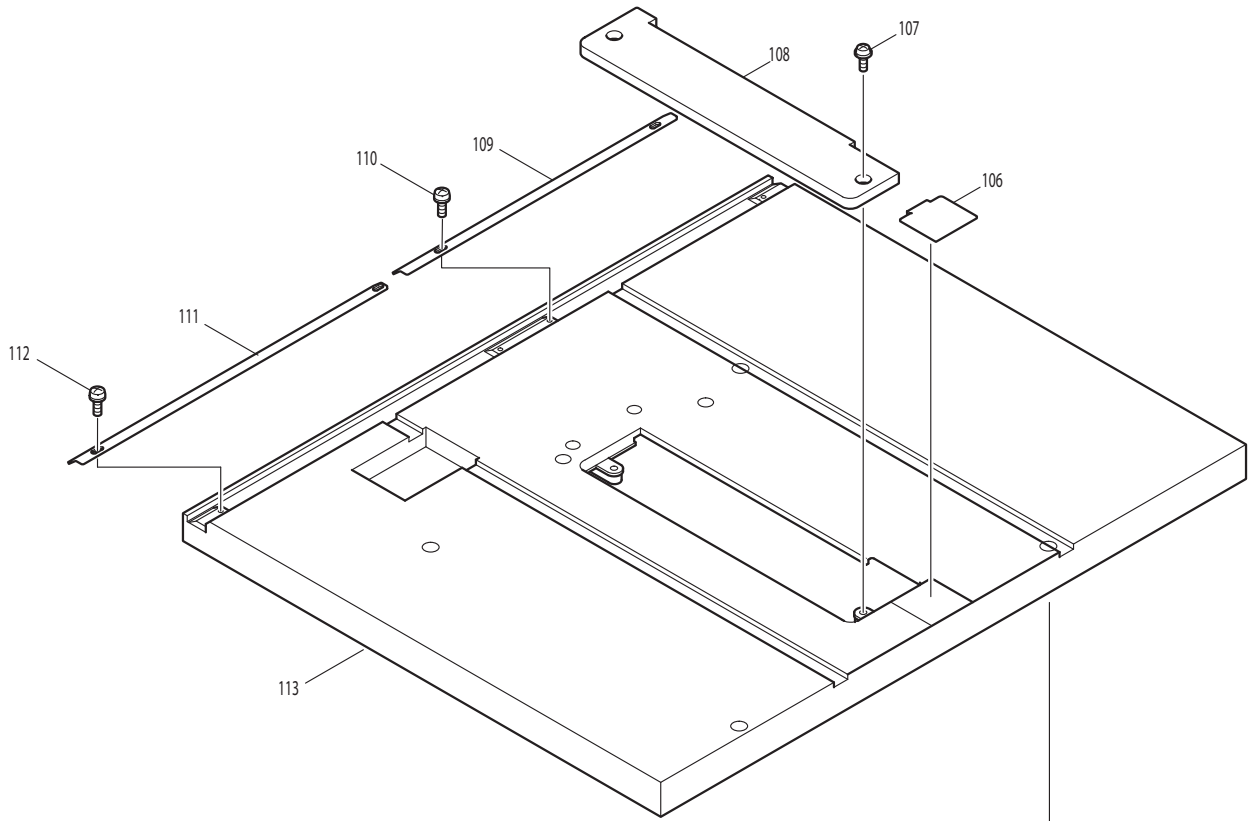




03 - 2010
2702 / 2703
8-1/4" TABLE SAW (2702)
10" TABLE SAW (2703)







Item No.	Type	Sub	Part No.	Description (*see Service changes on the bottom)	Qty	Unit
1			344536-2	GEAR HOUSING PLATE	1	PC.
2	1		911208-0	PAN HEAD SCREW M5X10	1	PC.
	2		911213-7	PAN HEAD SCREW M5X12	1	PC.
3			416340-0	GUIDE BAR RETAINER	2	PC.
4			266040-0	TAPPING SCREW CT 4X25	4	PC.
5			323736-7	GUIDE BAR	2	PC.
6			159999-7	GEAR HOUSING COMPLETE	1	PC.
		INC.	263005-3	RUBBER PIN 6	1	PC.
		INC.	951157-9	SPRING PIN 5-16	1	PC.
		INC.		Item No. 21		
7			168313-6	SAFETY GUIDE - For 2702	1	PC.
		INC.	231541-7	TORSION SPRING 17	1	PC.
		INC.	231542-5	TORSION SPRING 17	1	PC.
		INC.	265462-1	HEX. BOLT M6X50	1	PC.
		INC.	931302-2	HEX. NUT M6	1	PC.
		INC.	941151-9	FLAT WASHER 6	2	PC.
		INC.	942151-2	SPRING WASHER 6	1	PC.
7			168309-7	SAFETY GUIDE - For 2703	1	PC.
		INC.	231541-7	TORSION SPRING 17	1	PC.
		INC.	231542-5	TORSION SPRING 17	1	PC.
		INC.	265462-1	HEX. BOLT M6X50	1	PC.
		INC.	931302-2	HEX. NUT M6	1	PC.
		INC.	941151-9	FLAT WASHER 6	2	PC.
		INC.	942151-2	SPRING WASHER 6	1	PC.
8			265391-8	+HEX. BOLT M6X16	2	PC.
9			165206-8	STAY	1	PC.
10			911383-2	PAN HEAD SCREW M6X60	4	PC.
11			344545-1	PRESSURE PLATE	1	PC.
12			921431-9	HEX. BOLT M8X20	2	PC.
13			265995-6	TAPPING SCREW 4X18	2	PC.
14			687054-0	STRAIN RELIEF	1	PC.
15			416341-8	COVER	1	PC.
16			265995-6	TAPPING SCREW 4X18	2	PC.
17			266040-0	TAPPING SCREW CT 4X25	4	PC.
18			416340-0	GUIDE BAR RETAINER	2	PC.
19			266040-0	TAPPING SCREW CT 4X25	2	PC.
20			961016-9	STOP RING E-10	1	PC.
21			212121-8	NEEDLE BEARING 1210	1	PC.
22			226499-3	HELICAL GEAR 42	1	PC.
23			267176-8	FLAT WASHER 17	1	PC.
24			267170-0	FLAT WASHER 34	1	PC.
25			211256-2	BALL BEARING 6203LLB	1	PC.
26			316933-2	BEARING BOX	1	PC.
27			153264-6	SPINDLE COMPLETE	1	PC.
		INC.	323738-3	SPINDLE	1	PC.
		INC.		Item No. 22-25		
28			224333-1	FLANGE 53	1	PC.
30			224347-0	OUTER FLANGE 53	1	PC.
31			252155-9	HEX. NUT M12-19	1	PC.
32			911233-1	PAN HEAD SCREW M5X20	4	PC.
33			322968-3	SCREW BAR	1	PC.
34			416339-5	SCREW BAR RETAINER	1	PC.
35			941302-4	FLAT WASHER 12	1	PC.
36			951116-3	SPRING PIN 4-20	1	PC.

Item No.	Type	Sub	Part No.	Description (*see Service changes on the bottom)	Qty	Unit
37			226747-0	STRAIGHT BEVEL GEAR	1	PC.
38			253024-7	FLAT WASHER 10	1	PC.
39			231315-6	COMPRESSION SPRING 14	1	PC.
40			322967-5	LOCK LEVER SHAFT	1	PC.
41			922243-3	HEX. SOCKET HEAD BOLT M5X25	1	PC.
42			272237-1	LEVER 90	1	PC.
43			266034-5	TAPPING SCREW CT 4X16	2	PC.
44			253143-9	FLAT WASHER 12	1	PC.
45			213107-5	O RING 12	1	PC.
46			214114-1	PLANE BEARING 12	1	PC.
47			344544-3	STAY	1	PC.
48			344543-5	POINTER	1	PC.
49			922103-9	HEX. SOCKET HEAD BOLT M4X6	1	PC.
50			951116-3	SPRING PIN 4-20	1	PC.
51			911218-7	PAN HEAD SCREW M5X14	1	PC.
52			268031-7	PIN 8	1	PC.
53			271408-7	KNOB 20	1	PC.
54			271071-6	HANDLE 120	1	PC.
55			323735-9	HANDLE SHAFT	1	PC.
56			344581-7	CAP 92	1	PC.
57			271070-8	HANDLE 100	1	PC.
58			226747-0	STRAIGHT BEVEL GEAR	1	PC.
59			951116-3	SPRING PIN 4-20	1	PC.
60			941302-4	FLAT WASHER 12	1	PC.
61			931502-4	HEX. NUT M10	1	PC.
62			213423-5	O RING 30	1	PC.
63			253792-2	FLAT WASHER 26	1	PC.
64			211206-7	BALL BEARING 6202LLB	1	PC.
65			253147-1	FLAT WASHER 15	1	PC.
66			240003-4	FAN 80	1	PC.
67			516761-7	ARMATURE ASS'Y 115V	1	PC.
		INC.		Item No. 64-66,68,69		
68			681640-9	INSULATION WASHER	1	PC.
69			211061-7	BALL BEARING 6000LLB	1	PC.
70			416331-1	BAFFLE PLATE	1	PC.
71			266029-8	TAPPING SCREW 5X65	2	PC.
72			596181-1	FIELD ASS'Y 115V	1	PC.
		INC.	654020-2	RING TERMINAL	2	PC.
		INC.	654553-7	CONNECTOR 34137	2	PC.
73			159998-9	MOTOR HOUSING COMPLETE	1	PC.
		INC.	643660-1	BRUSH HOLDER 6.5-13.5	2	PC.
74	1		181047-4	CARBON BRUSH CB-154 2PC/SET (W/O ORIGIN)	1	SET
	2		194986-9	CARBON BRUSH CB-154 2PC/SET (W/ ORIGIN)	1	SET
75			643650-4	BRUSH HOLDER CAP 6.5-13.5	2	PC.
76			266034-5	TAPPING SCREW CT 4X16	2	PC.
77			416439-1	DUST GUIDE	1	PC.
78	1		316931-6	* FRAME - N/L/A	1	PC.
	2		317382-6	* FRAME	1	PC.
	3		317880-0	* FRAME	1	PC.
	4		318253-0	* FRAME	1	PC.
79			344519-2	FRAME COVER	1	PC.
80			266035-3	TAPPING SCREW BIND CT 5X12	4	PC.
81			344529-9	SLIDE SEAT	2	PC.
82			251308-7	+ PAN HEAD SCREW M4X10	1	PC.

Item No.	Type	Sub	Part No.	Description (*see Service changes on the bottom)	Qty	Unit
83			687049-3	STRAIN RELIEF	1	PC.
84	1		911208-0	PAN HEAD SCREW M5X10	2	PC.
	2		911213-7	PAN HEAD SCREW M5X12	2	PC.
85			416333-7	RACK PLATE	1	PC.
86	1		344518-4	* PLATE	1	PC.
	2		345628-0	* PLATE	1	PC.
87			911323-0	PAN HEAD SCREW M6X16	2	PC.
88	1		317010-3	ADJUST BLOCK (22mm) - N/L/A	1	PC.
	2		318020-3	ADJUST BLOCK (21mm)	1	PC.
89			265460-5	HEX. BOLT M6X20	2	PC.
90			232174-1	LEAF SPRING	2	PC.
91			416332-9	FRAME RETAINER	2	PC.
92			911333-7	PAN HEAD SCREW M6X20	4	PC.
93			231240-1	COMPRESSION SPRING 7	1	PC.
94			416375-1	CAP	1	PC.
95			664080-6	POWER SUPPLY CORD #14-3-0.86	1	PC.
96			687054-0	STRAIN RELIEF	1	PC.
97			265995-6	TAPPING SCREW 4X18	2	PC.
98	1		416335-3	* SWITCH BOX - N/L/A	1	PC.
	2		183121-4	* SWITCH BOX SET	1	SET
		INC.		* Item No. 101		
99			265995-6	TAPPING SCREW 4X18	2	PC.
100			687052-4	STRAIN RELIEF	1	PC.
101	1		416334-5	* SWITCH BASE	1	PC.
	2		183121-4	* SWITCH BOX SET	1	SET
		INC.		* Item No. 98		
102			651567-7	SWITCH 8961K363	1	PC.
103			416377-7	SLIDE PIN	1	PC.
104			416376-9	SWITCH BUTTON	1	PC.
105			265999-8	TAPPING SCREW 4X25	3	PC.
106			344547-7	PLATE	1	PC.
107			911323-0	PAN HEAD SCREW M6X16	2	PC.
108			316934-0	CENTER COVER (ORANGE ---> BLACK) - For 2702	1	PC.
			316935-8	CENTER COVER (ORANGE ---> BLACK) - For 2703	1	PC.
109			816332-3	SCALE PLATE L	1	PC.
110			251308-7	+ PAN HEAD SCREW M4X10	2	PC.
111			816331-5	SCALE PLATE R	1	PC.
112			251308-7	+ PAN HEAD SCREW M4X10	2	PC.
113	1		316930-8	* TABLE	1	PC.
	2		317383-4	* TABLE (Silver)	1	PC.
	3		317383-4	* TABLE (Yellowish gray)	1	PC.
	4		317383-4	* TABLE (Silver)	1	PC.
115			664463-0	CORD W/PLUG 2P-14-2.5M,SJ	1	PC.
116			682504-0	CORD GUARD 10-85	1	PC.
117			265995-6	TAPPING SCREW 4X18	2	PC.
118			687052-4	STRAIN RELIEF	1	PC.
119			286202-4	CAP 20	4	PC.
120			150824-5	BASE COMPLETE	1	PC.
		INC.	810917-7	CAUTION LABEL	1	PC.
		INC.	816776-7	BEVEL SCALE LABEL	1	PC.
121			911344-2	PAN HEAD SCREW M6X25	4	PC.
122			253052-2	FLAT WASHER 12	1	PC.
123			257060-5	RING 15.8 (OLD)	1	PC.

Item No.	Type	Sub	Part No.	Description (*see Service changes on the bottom)	Qty	Unit
130			192693-8	DADO FLANGE SET (See Instruction Manual for instration)	1	SET
		INC.	931603-8	DADO HEX NUT M12 - N/A as individually	1	PC.
		INC.	252155-9	HEX NUT M12-19	1	PC.
		INC.	224356-9	DADO OUTER FLANGE 30	1	PC.
		INC.	267183-1	FLAT WASHER 16	1	PC.
		INC.	224347-0	OUTER FLANGE 53	1	PC.
		INC.	191543-4	HEAD SET (FOR 2702) - N/A as individually	1	PC.
		INC.	191794-9	HEAD SET (FOR 2703) - N/A as individually	1	PC.
		INC.	253723-1	WASHER 16	1	PC.
		INC.	224333-1	INNER FLANGE 53	1	PC.
		INC.	153264-6	SPINDLE COM.	1	PC.
200			654558-7	INSULATED CONNECTOR	6	PC.
201			654164-8	RECEPTACLE (OLD# 654180-0 - N/L/A)	5	PC.
ACCESSORIES				- See catalogue or visit www.makita.ca for other optional accessories -		
A01			122556-4	RULER ASS'Y - See parts breakdown 122556-4	1	PC.
A02			781027-6	WRENCH 19	1	PC.
A03			782021-1	WRENCH 13-22	1	PC.
A04			783009-4	HOLDER CAP OPENER	1	PC.
A05			-----	C.T. SAW BLADE (See Catalogue for details)	1	PC.
A06	1		192680-7	TABLE SAW STAND SILVER	1	PC.
	2		193920-6	TABLE SAW STAND BLACK - See parts breakdown 193920-6	1	PC.
A07			191687-A	MAKITA SAFETY GLASSES (OLD# 191686-A)	1	PC.
A08			STEX122275	JOINT	1	PC.
A09			122555-6	ANGLE RULE ASS'Y	1	PC.
		INC.	163024-8	GUIDE PLATE	1	PC.
		INC.	271401-1	KNOB 32	1	PC.
		INC.	253047-5	FLAT WASHER 6	1	PC.
A10			416376-9	SWITCH BUTTON	2	PC.
A11			192797-6	SUB TABLE (R)	1	PC.
A12			192798-4	SUB TABLE (L)	1	PC.
A13			122731-A	PORTA TABLE - See parts breakdown 122731-A	1	PC.
A14			224263-6	DADO OUTER FLANGE - For 2702	1	PC.
A15			257137-6	RING 15 F/DADOING -For 2703	1	PC.
A16			317061-6	CENTER COVER F/DADOING	1	PC.
A17			192800-3	JOINT 55 SET	1	PC.
A18			416772-1	PUSH STICK	1	PC.

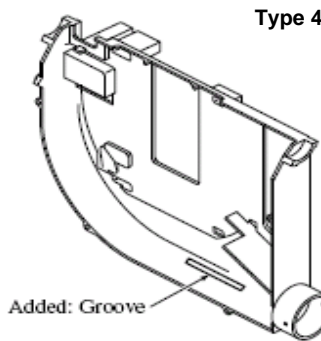
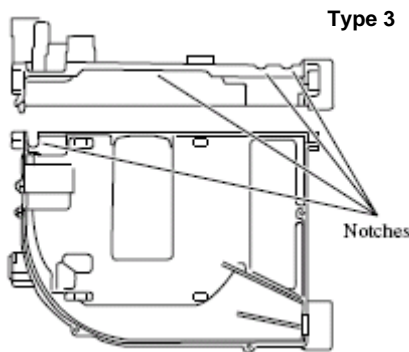
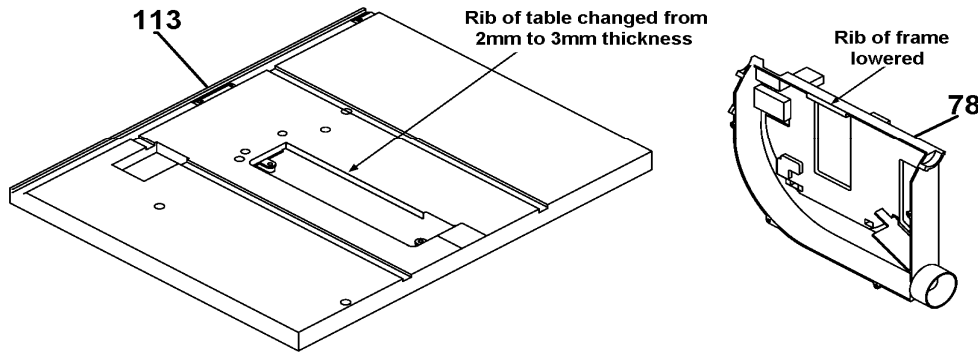
SERVICE CHANGES

1. Changes on Frame and Table

Item No.	Description	Type 1	Type 2	Type 3	Type 4
78	Frame	316931-6 (N/L/A)	317382-6	317880-0	318253-0
113	Table	316930-8	317383-4 (Silver)	317383-4 (yellowish gray)	317383-4 (Silver)

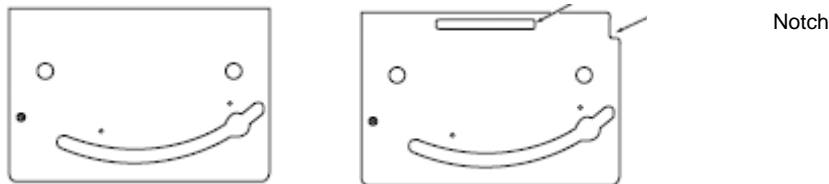
Above parts are completely interchangeable as a set.

Type 1 ----> Type 2



2. Changes on Plate

Item No.	Description	Type 1	Type 2
86	Plate	344518-4	345628-0



3. Changes on Switch Box / Switch Box Set

Item No.	Description	Type 1	Type 2
98	Switch Box	416335-3 (N/L/A)	183121-4
101	Switch Base	416334-5	(Switch Box Set)

Above parts are completely interchangeable as a set.